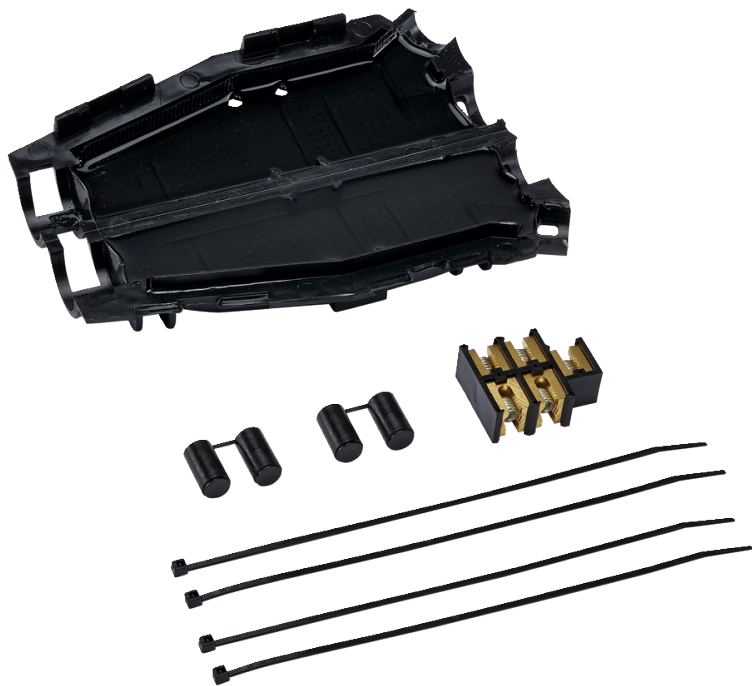


Junction SQUALE D6 kit sealed connection 1 x 5 entry screw connector wire up to 5 x 4 mm<sup>2</sup>



Société BIZLINE SAS  
13 boulevard du Fort de Vaux  
75017 Paris  
FRANCE

**WE, BIZLINE, ASSUME FULL RESPONSIBILITY FOR COMPLIANCE OF THE FULL REFERENCE BIZ 710 308 WITH THE PROVISIONS OF THE EC DIRECTIVE(S) GIVEN BELOW :**

- LVD/Low voltage directive 2014/35/EU
- RoHS 2011/65/EU
- UK Conformity Assessment

**WE DECLARE COMPLIANCE OF THE PRODUCT WITH THE HARMONISED STANDARDS GIVEN BELOW :**

- EC standard : EN 50393
- LVD : EN 50393
- UKCA : EN 50393

M. Nicolas MOUGEL  
Technical, Quality & Laboratory Manager

Paris, 22/02/2024

Handwritten signature of M. Nicolas MOUGEL.